



FEATURES

- Mechanical, keyless deadbolt lock
- Installs in minutes with EZ plates
- One user code
- Thumbturn on interior and exterior
- Changeable handing
- Adjustable deadbolt backset
- Covers standard 2 1/8" hole

OPTIONS

Single Combination, Double Combination (DC)



Single Combination

Double Combination

DIMENSIONS & SPECIFICATIONS

Dimensions:

- Length: 4 7/8"
- Width: 1 1/2"
- Depth: 1 3/4"

Total Coverage with Trim Plates: 5 5/8" L x 2 1/2" W

Backset: Adjustable

Door Thickness: 1 3/16" to 2", up to 5" with Extension Kit

Door Prep Edge Bore: 1"

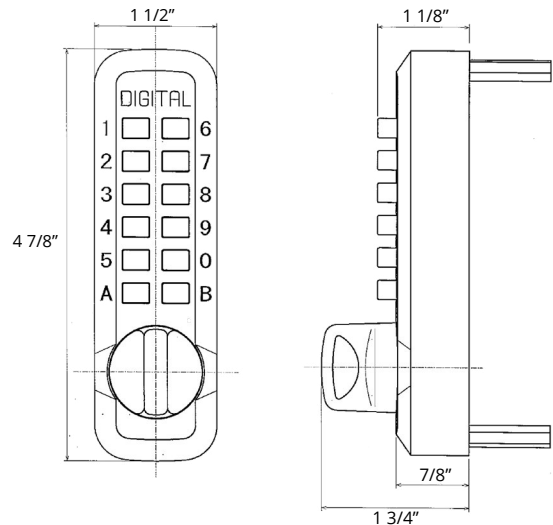
Material: Zinc-plated steel

Teflon coated stainless steel interior components

For Exterior & Interior Use

Weather Resistant

Lifetime Mechanical Warranty



ORDERING INFORMATION

| Finish | Single Combination | Double Combination |
|-------------------|--------------------|--------------------|
| Antique Brass | M210AB | M210ABDC |
| Bright Brass | M210BB | M210BBDC |
| Bright Chrome | M210BC | M210BCDC |
| Jet Black | M210JB | M210JBDC |
| Marine Grade | M210MG | M210MGDC |
| Oil Rubbed Bronze | M210OB | M210OBDC |
| Satin Chrome | M210SC | M210SCDC |
| Satin Nickel | M210SN | M210SNDC |
| White | M210WH | M210WHDC |

